

CATALOG 2022

FRANGIBLE ILS/GLIDE PATH MAST

SGS Frangible GLide Path Towers are in Compliance for Full Impact Testing with ICAO guidelines Aerodrome Design Manual Part-6, chapter 5 and US Department of Transportation, FAA Advisory Circular No 150/5345-45C, April 2007

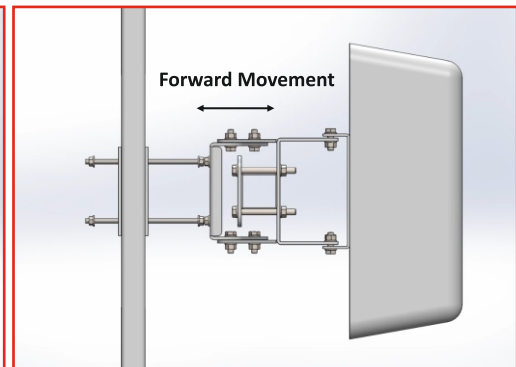
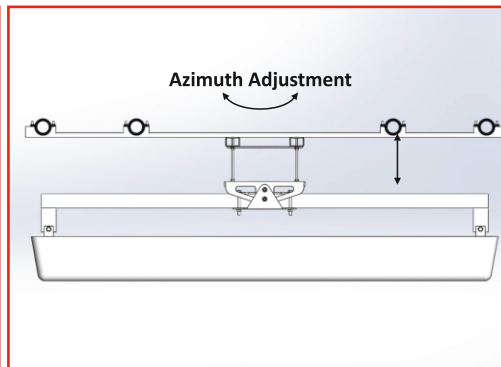
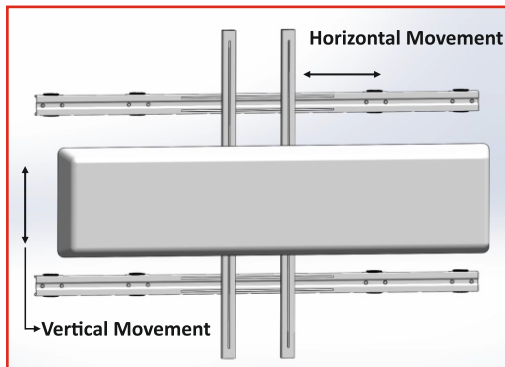
SGS FRANGIBLE TOWERS PRIVATE LIMITED

SAFE & STRONG

DESCRIPTION- ACCESSORIES

Lattice Mast	Height (options available)	12 meter/ 15 meter/ 17 meter
	Basic Form and size	400 X 400 mm square lattice 3 units supported with horizontal tresses
	Colour	Aviation Red & White, 2 part PU paint with UV protection in Compliance with ICAO
	Coupling	Embedded flange
Base Plate & Foundations Bolts	Base plate with 14 set of foundation bolts	
Survival wind speed	140 km/hr sustainable wind, 210 km/hr gust wind	
Antenna mounting	Optional tailor made as per customer requirement	
Maintenance	Composite stairs with safety belt provided in center for easy maintenance of antenna and electrical accessories	
Aviation lamp	LED obstruction light lamp, Complaint to ICAO (Aerodromes Annexure 14) and FAA - L810, Aviation Red colour, Selectable flashing rate, AC 110V ~ 220V, Auto light sensing ON/OFF	
Warranty	3 years	

Antenna Mounting



COMPLIANCE

- Compliance with FAA AC 150/5345-45C and Compliance with ICAO guidelines Aerodrome Design Material Part-6 Frangibility Doc 9157 First Edition – 2006 chapter 5.
- Wind load deflection test
- Salt Spray Test as per MIL-STD- 810F & ISO 9227: 2017
- Temperature Resistance Test -35°C to + 55° C
- Flammability Test IS : 6746 - 1994
- Di-Electric Strength Test : ASTM D 149:2009.
- UV Resistance Test ASTM G 154 : 2016/IS-14887
- Tensile Strength Test : ASTM D638
- Flexural Strength Test : ASTM D790
- Flame Spread & Smoke develop Index test ASTM E84



CERTIFICATION

Third party full crash test certificate as per compliance for full impact testing with ICAO guidelines Aerodrome design manual Part-6, chapter 5 and US department of transportation, FAA Advisory circular No 150/5345, April 2007

SGS FRANGIBLE TOWERS PRIVATE LIMITED



- 📍 36, Udyog Vihar, Phase - IV, Gurgaon - 122015, Haryana, INDIA
- ☎ Tel: +91-124-4810917, 4810918, 4810919, 4810920, Fax: +91-124-4000184
- ✉ www.sgsfrangible.com, sales@sgsfrangible.com

Specifications/technical details included are subject to change without notice.