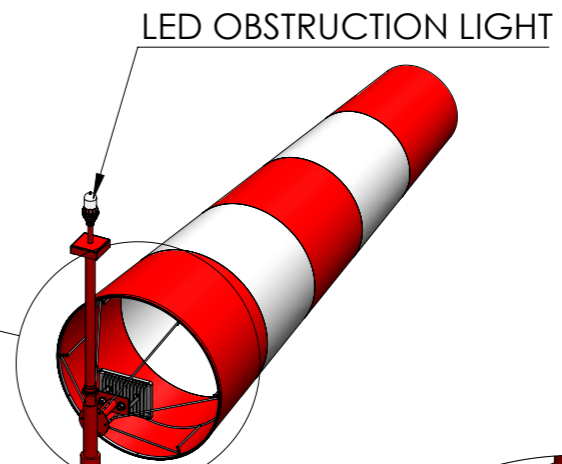
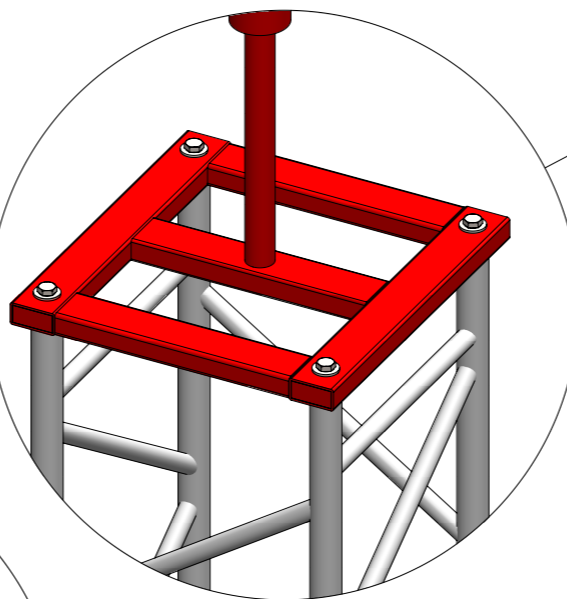


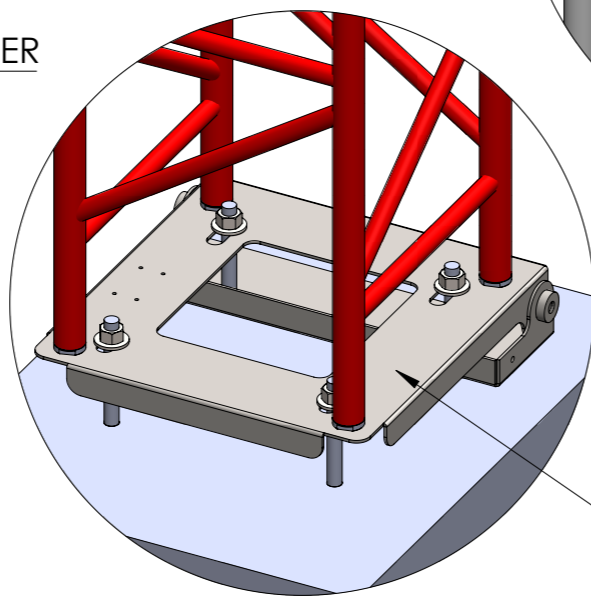
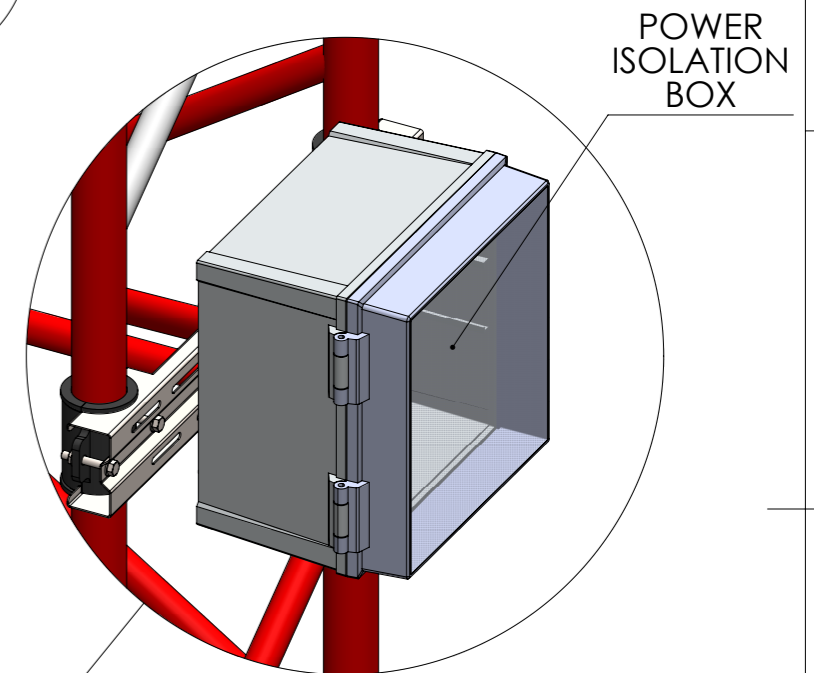
DETAIL D
SCALE 1 : 19



DETAIL C
SCALE 1 : 7



DETAIL B
SCALE 1 : 12



DETAIL A
SCALE 1 : 12

REV.	DATE	Control
1.1	11-08-20	
1.2	03-08-21	

PROPRIETARY AND CONTAINED
THE INFORMATION CONTAINED IN THIS DRAWING IS THE SOLE PROPERTY OF SGS WEATHER, ANY REPRODUCTION IN PART OR AS A WHOLE WITHOUT THE WRITTEN PERMISSION OF SGS FRANGIBLE TOWERS Pvt. Ltd. IS PROHIBITED.

UNLESS OTHERWISE SPECIFIED:		NAME	DATE
DIMENSIONS ARE IN MILLIMETERS		DRAWN	DEEPAK KU. 03/08/2021
TOLERANCES:		CHK'D	VIPIN GANDHI 03/08/2021
FRACTIONAL ±		ENG APPR.	
ANGULAR: MACH ±		MFG APPR.	
TOW PLACE DECIMAL ±		Q.A	
THREE PLACE DECIMAL ±			
INTERPRET GEOMETRIC TOLERANCING		COMMENTS:	
MATERIAL COMPOSITE			
FINISH PU PAINT			
DO NOT SCALE DRAWING			



SGS Frangible Towers Pvt. Ltd.
Plot No. 36, Udyog Vihar
Phase - IV Gurugram
Haryana - 122015 INDIA

SIZE	DRAWING NAME & NO.	REV
A3	SGS-STND-WST4050-05BH-5METER INTERNALLY ILLUMINATED WINDSOCK TOWER-V1.2	1.2
SCALE : 1:38	WEIGHT : K.G	SHEET 1 OF 1