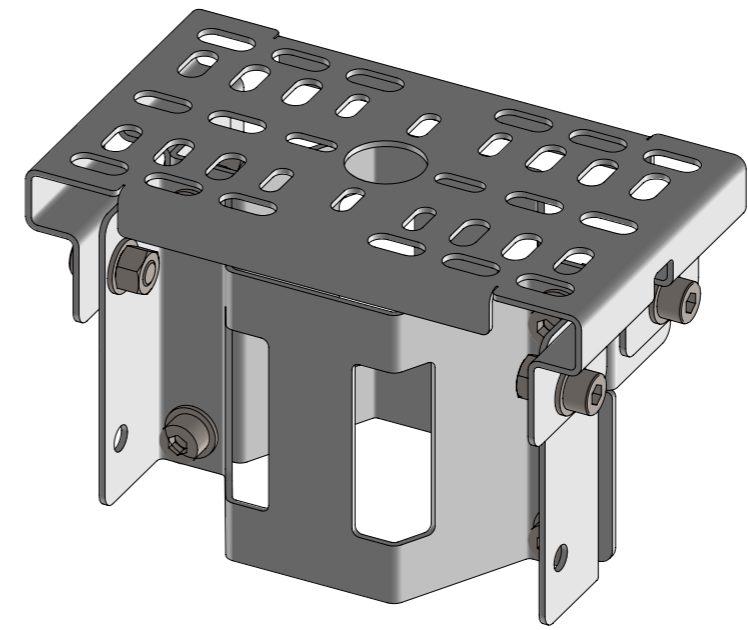
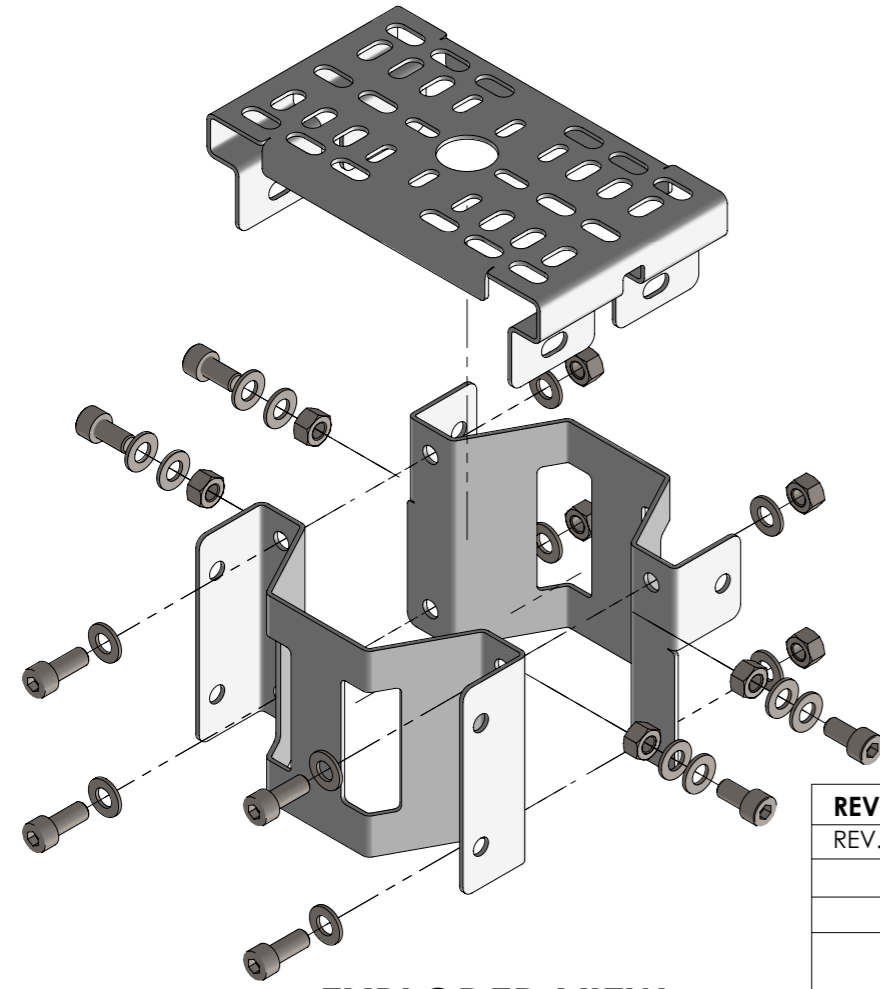
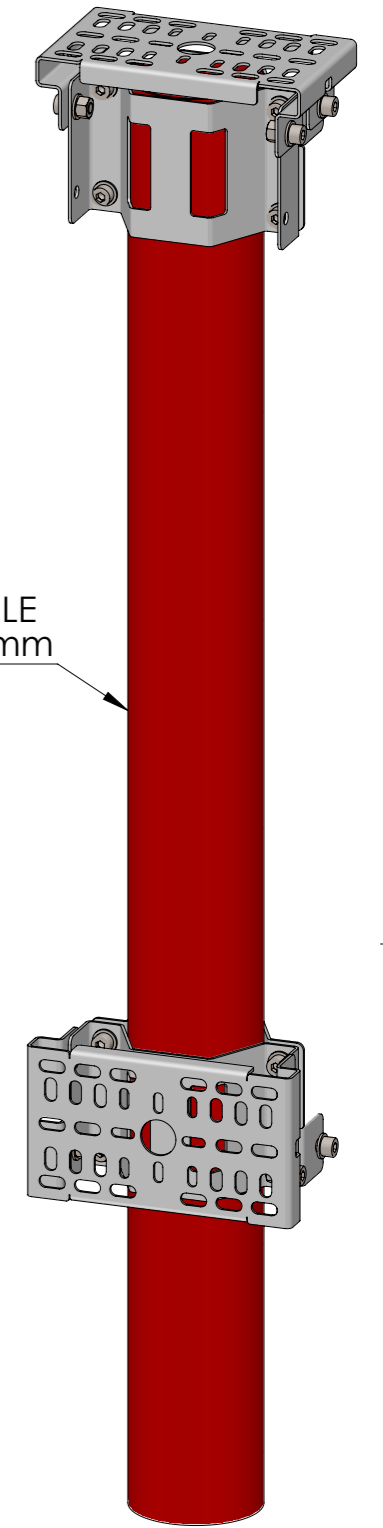


**OPTION-1**



**OPTION-2**

FRANGIBLE POLE 90mm



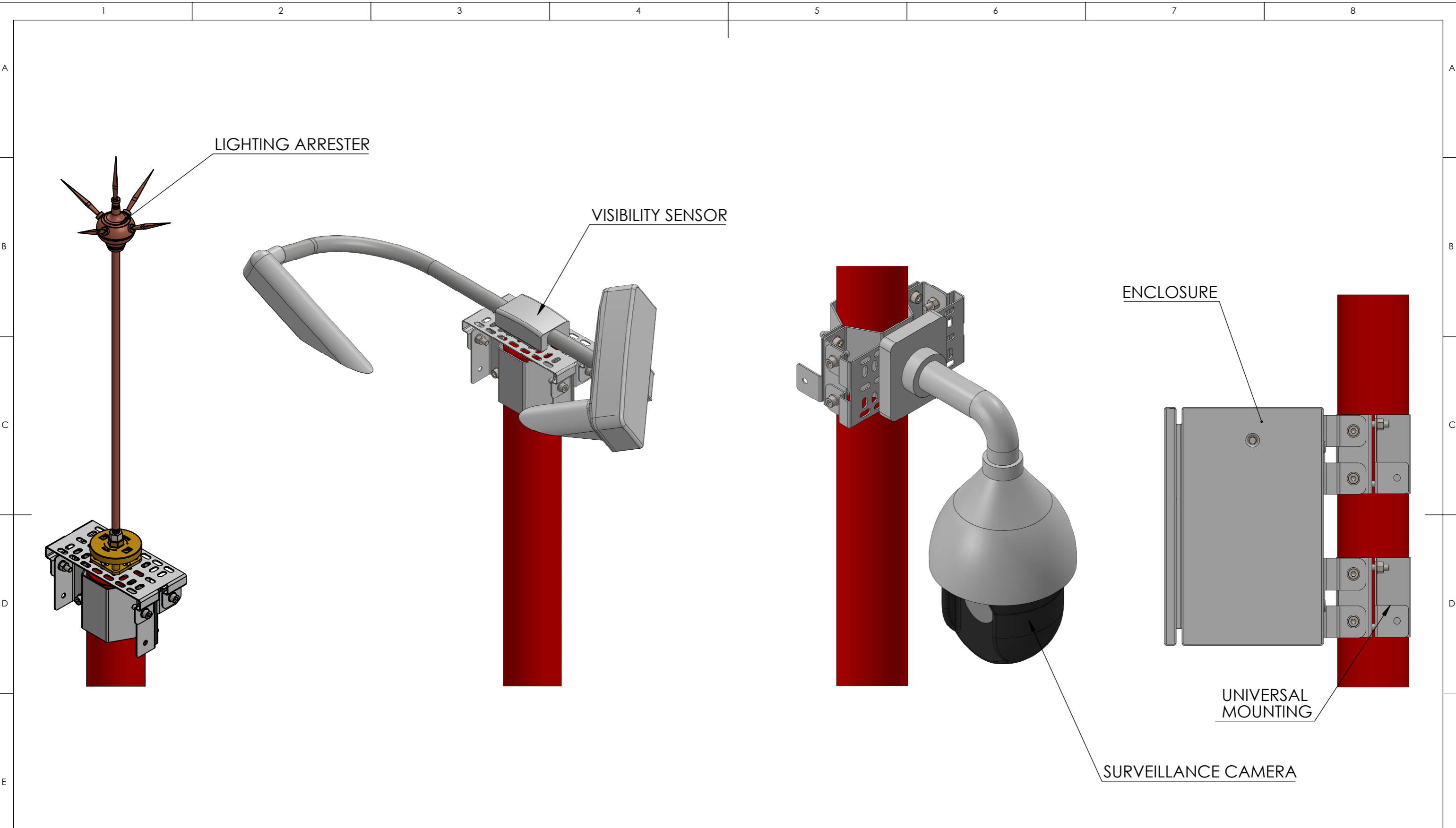
**EXPLODED VIEW**

REV. Control		PROPRIETARY AND CONTAINED THE INFORMATION CONTAINED IN THIS DRAWING IS THE SOLE PROPERTY OF SGS WEATHER, ANY REPRODUCTION IN PART OR AS A WHOLE WITHOUT THE WRITTEN PERMISSION OF SGS FRANGIBLE TOWER Pvt. Ltd. IS PROHIBITED.
REV.	DATE	

UNLESS OTHERWISE SPECIFIED:	NAME	DATE
<b>DIMENSIONS ARE IN MILLIMETERS</b>	DRAWN DEEPAK KU.	16-05-2022
TOLERANCES:	CHK'D VIPIN GANDHI	16-05-2022
FRACTIONAL ±	ENG APPR.	
ANGULAR: MACH ±	MFG APPR.	
TWO PLACE DECIMAL ±	Q.A	
THREE PLACE DECIMAL ±		
INTERPRET GEOMETRIC TOLERANCING	SCALE :	NTS
MATERIAL	COMMENTS:	
FINISH:		
DO NOT SCALE DRAWING		

**SGS Frangible Tower Pvt. Ltd.**  
Plot No. 36, Udyog Vihar  
Phase - IV Gurugram  
Haryana - 122015 INDIA

SIZE	DRAWING NAME & NO.	REV
<b>A3</b>	<b>SGS-STND-POLE MOUNTING KIT-V1.2</b>	<b>1.2</b>
WEIGHT :	N.A	SHEET 1 OF 1



REV. Control		PROPRIETARY AND CONTAINED THE INFORMATION CONTAINED IN THIS DRAWING IS THE SOLE PROPERTY OF SGS WEATHER, ANY REPRODUCTION IN PART OR AS A WHOLE WITHOUT THE WRITTEN PERMISSION OF SGS FRANGIBLE TOWER Pvt. Ltd. IS PROHIBITED.
REV.	DATE	

UNLESS OTHERWISE SPECIFIED:	NAME	DATE
<b>DIMENSIONS ARE IN MILLIMETERS</b>	DRAWN	ABHIMANYU 25-01-2022
TOLERANCES:	CHK'D	VIPIN GANDHI 25-01-2022
FRACTIONAL ±	ENG APPR.	
ANGULAR: MACH ±	MFG APPR.	
TWO PLACE DECIMAL ±	Q.A	
THREE PLACE DECIMAL ±		
INTERPRET GEOMETRIC TOLERANCING	SCALE :	NTS
MATERIAL	COMMENTS:	
FINISH:		
DO NOT SCALE DRAWING		

**SGS Frangible Tower Pvt. Ltd.**  
Plot No. 36, Udyog Vihar  
Phase - IV Gurugram  
Haryana - 122015 INDIA

SIZE	DRAWING NAME & NO.	REV
<b>A3</b>	<b>SGS-STND-POLE MOUNTING KIT-V1.2</b>	<b>1.2</b>
WEIGHT : K.G		SHEET 1 OF 2