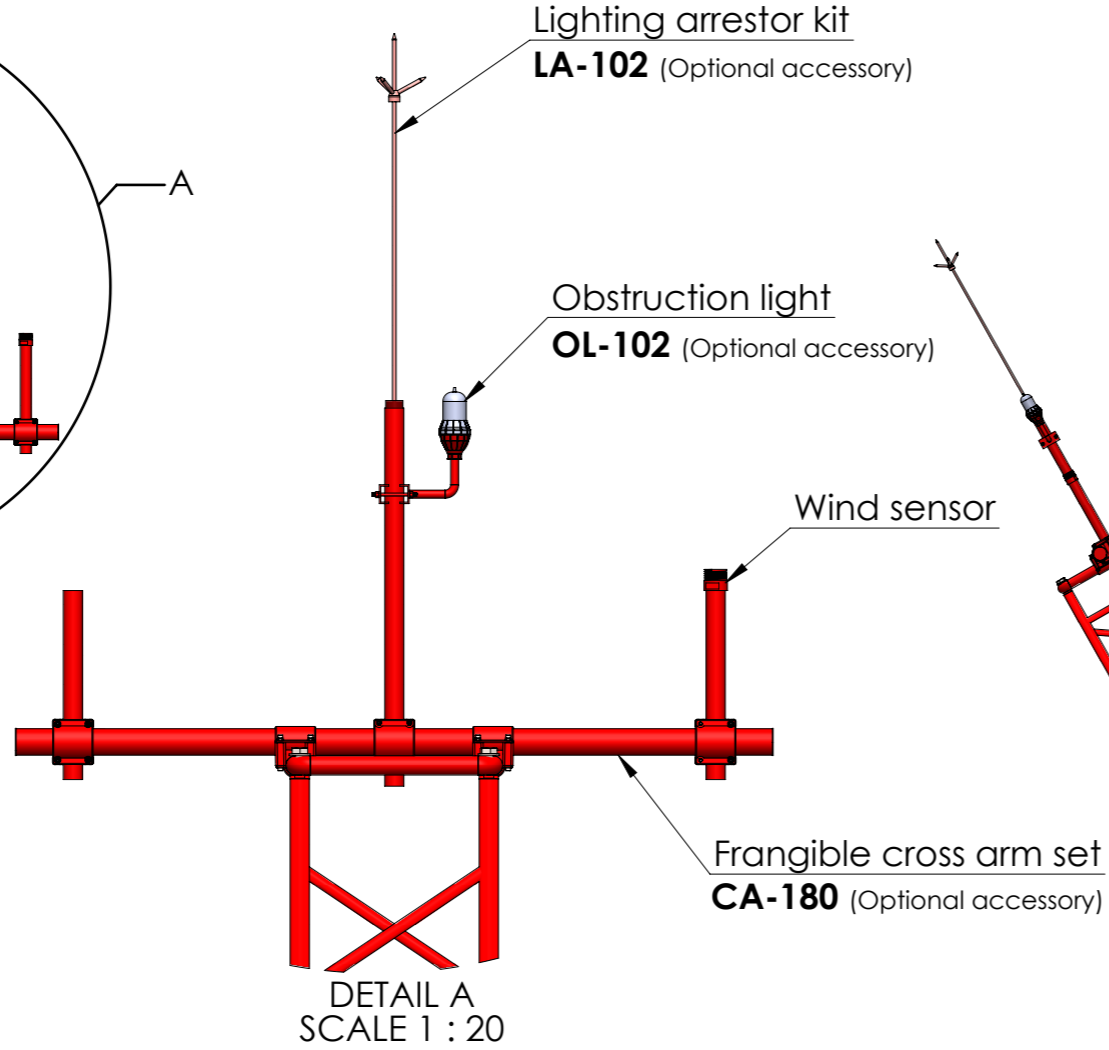
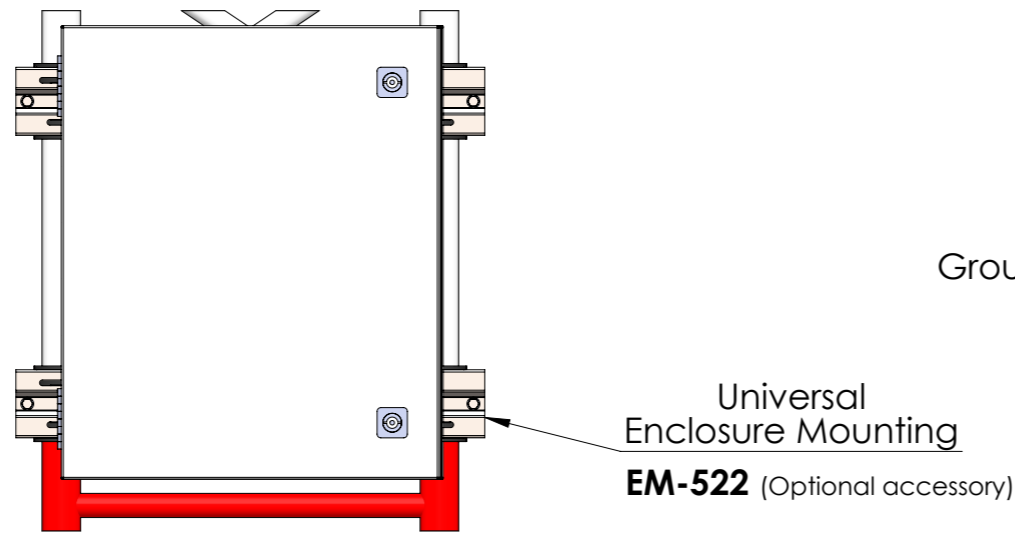


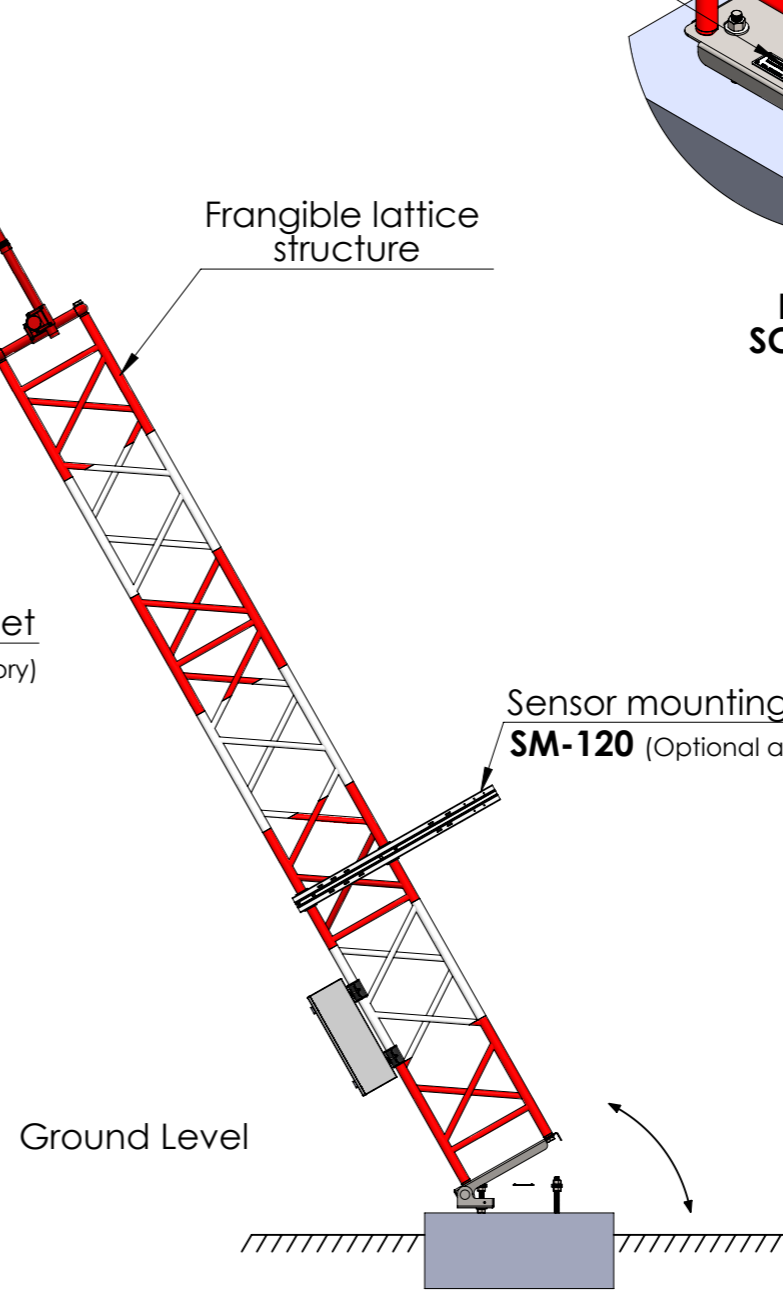
**SIDE VIEW**



**DETAIL A  
SCALE 1 : 20**

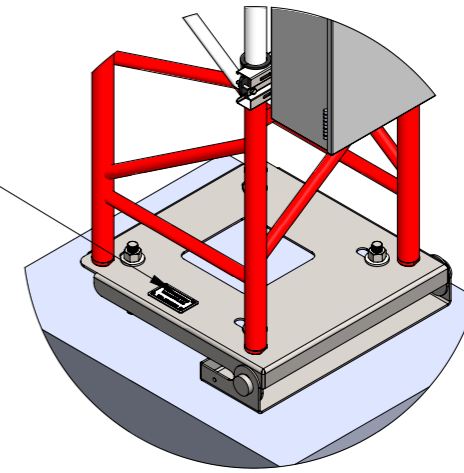


**DETAIL B  
SCALE 1 : 10**

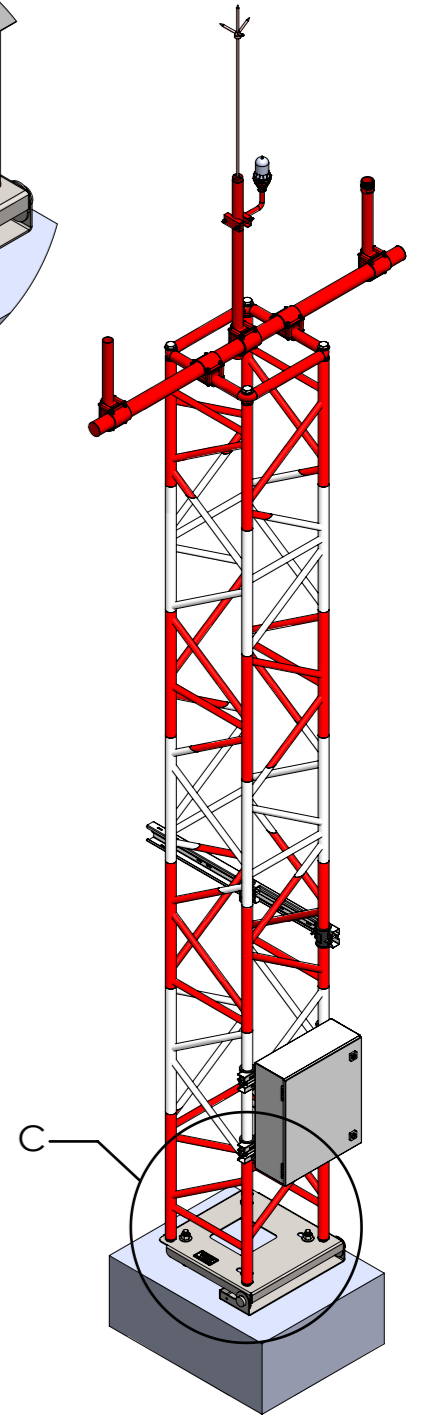


Ground Level

**MAINTENANCE MODE**



**DETAIL C  
SCALE 2 : 35**



**ISOMETRIC VIEW**

REV.	Control	DATE	PROPRIETARY AND CONTAINED
1.1		11-12-20	THE INFORMATION CONTAINED IN THIS DRAWING IS THE SOLE PROPERTY OF SGS WEATHER. ANY REPRODUCTION IN PART OR AS A WHOLE WITHOUT THE WRITTEN PERMISSION OF SGS FRANGIBLE TOWERS Pvt. Ltd. IS PROHIBITED.
1.2		03-08-21	
1.3		11-11-21	

UNLESS OTHERWISE SPECIFIED:		NAME	DATE
<b>DIMENSIONS ARE IN MILLIMETERS</b>		DRAWN	DEEPAK KU. 08-10-2022
TOLERANCES:		CHK'D	VIPIN GANDHI 08-10-2022
FRACTIONAL ±		ENG APPR.	
ANGULAR: MACH ±		MFG APPR.	
TWO PLACE DECIMAL ±		Q.A	
THREE PLACE DECIMAL ±			
INTERPRET GEOMETRIC TOLERANCING		COMMENTS:	
MATERIAL COMPOSITE			
FINISH PU			
DO NOT SCALE DRAWING			



**SGS Frangible Towers Pvt. Ltd.**  
 Plot No. 36, Udyog Vihar  
 Phase - IV Gurugram  
 Haryana - 122015 INDIA

SIZE	DRAWING NAME & NO.	REV
<b>A3</b>	<b>SGS-STND-AT4050-06BH-6METER AWOS LATTICE MAST-V1.3</b>	<b>1.3</b>
SCALE : 1:35	WEIGHT : K.G	SHEET 1 OF 1